

Brief introduction to the TESTNET project



ETAP: Innovative environmental technology for competitiveness

Since 2004, the European Union has adopted the Environmental Technology Action Plan (*ETAP*). Key objective is to encourage the development and wider use of environmental technologies as one of the measures to ensure Europe's competitiveness in global world economics.

One of the priorities ETAP identified is to bridge the gap between innovation and application. Implementing ETAP includes improved testing, performance verification and standardisation of environmental technologies.

ETV: A tool to reach ETAP objectives

Environmental Technology Verification (*ETV*) programmes are quite recent, originating in North America where they started in the mid-90s. The objective is to accelerate market acceptance of innovative technologies by providing users with information about their performance, thereby substantially reducing uncertainty for purchasers and permittees.

The overall strategic objective for a European system for ETV is to enhance the application of innovative Environmentally sound Technologies (**EsT's**) by purchasers and permittees, both inside and outside of Europe. The European Union has launched a number of research and demonstration projects in this field. One of these projects is TESTNET. Other European Union projects include EURODEMO, PROMOTE, AIRTV and a number of LIFE-projects that are still under preparation.

Verification must not be confused with certification. The former involves the independent assessment of a technology's performance without any judgement of it. Certification normally goes one step further by guaranteeing that every specimen of a product is meeting standards or defined performance criteria. ETV will not rank technologies or compare their performance, neither will it label technologies as acceptable or unacceptable.

TESTNET: A pilot for developing a technology-specific ETV

TESTNET - *Towards European Sectorial Testing Networks for Environmentally sound Technologies* - is a European project selected to design, develop and test an ETV system. TESTNET aims to develop an independent system to provide the market with credible performance data.

The focus technology areas are:

- water treatment
- clean technology
- monitoring related to these two technology areas.

TESTNET activities invite stakeholders' involvement

The objective is to establish a structure of organisations and a system for independent testing and verification of ready-to-market innovative environmentally sound technologies.

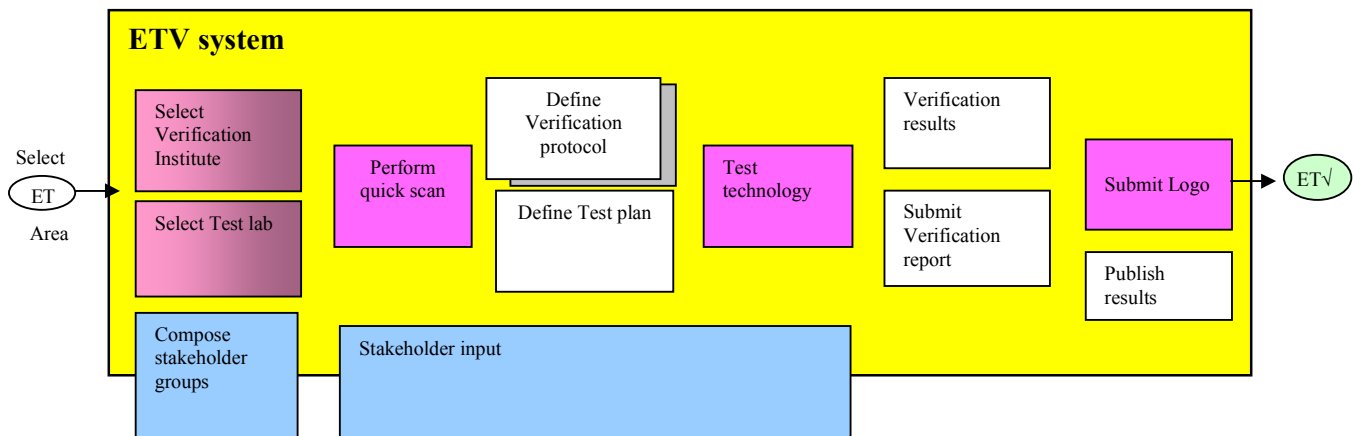
The strategic objectives will be met by:

- the identification of promising EsT's and innovative solutions for verification.
- the design of a system for testing and verifying new and innovative EsT's.
- the validation of the functionality of the verification system for the selected technology areas and for different types of organisational solutions.
- a sustainable follow-up of the verification system and networks, including involvement of relevant stakeholders in the networks.

TESTNET does not intend to work within an ivory tower.

It is the intention to pursue in all activities the involvement of stakeholders: producers, purchasers, permitters, financiers and researchers.

TESTNET's design for a European ETV system is still under construction. The following block diagram will give some idea of the steps to be taken.



TESTNET realises that competence and confidence are the key factors to establish a not only reliable, but also credible system.

Next to stakeholder involvement quality assurance will have absolute priority.

The TESTNET Consortium:	
TNO	Netherlands
ADEME	France
DHI	Danmark
EUCETSA	Europe
EXERA	France
GIG	Poland
Inasmet	Spain
IVL	Sweden
JRC / IPTS	Spain
Kiwa	Netherlands
NCSR	Greece
VTT	Finland

TESTNET consists of 12 European institutes and organisations.

The project started in September 2005 for a period of 3 years.

For more information, a website is available: www.est-testnet.net

TESTNET is co-funded by the European Commission, Research Directorate-General

